

Excellent Team/ ROUND 1

CARO Fall Virtual Trial

T23-011/ October 2-15, 2023

30' x 30' Indoor/Outdoor

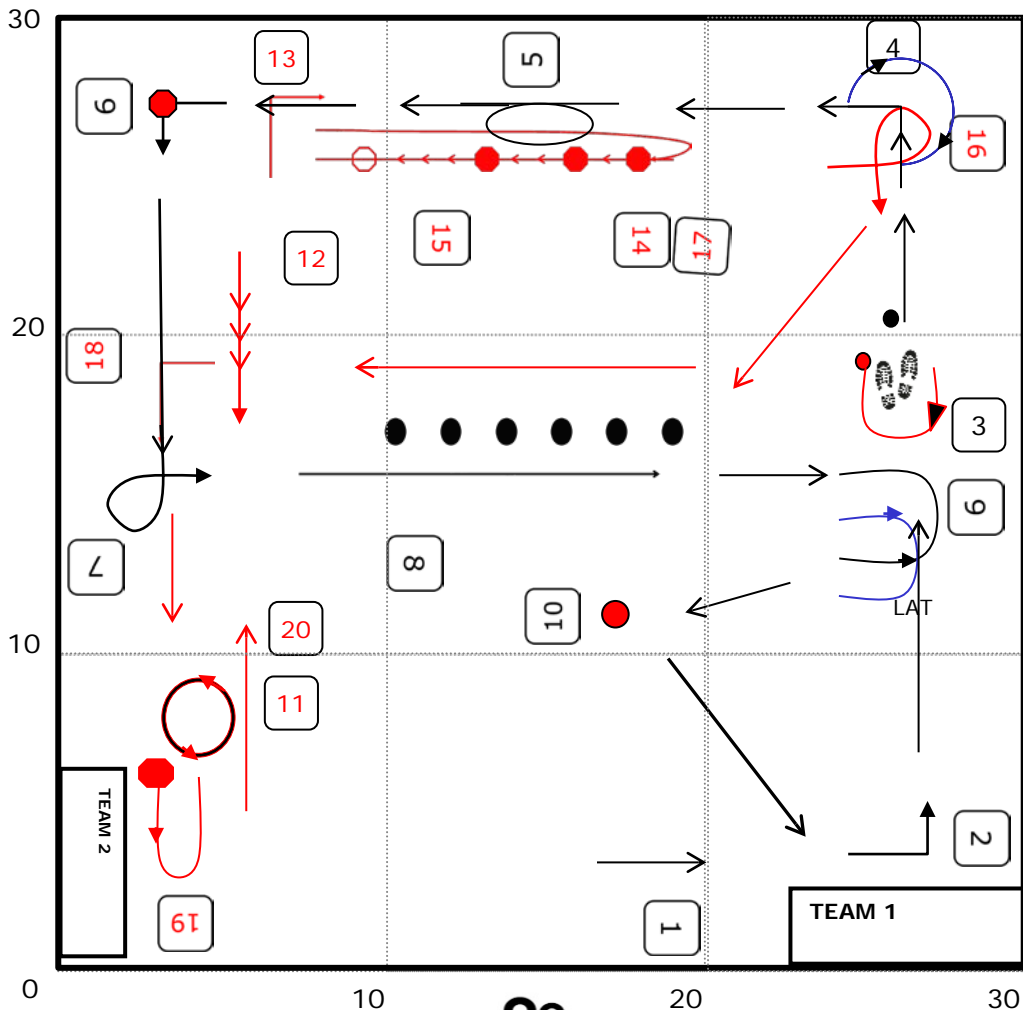
Max Course Time: 3 minutes

TEAM 1

1. **Start**
2. Left Turn (111)
3. Call Front – Finish Right (121)
4. Left Turn - Dog Circles Right (206)
5. 360 Left (117)
6. **Halt** – 90 Degree Pivot Left – Halt (108)
7. 270 Right (114)
8. Weave Poles (314)
9. Left About Turn (207)
10. **Halt** – Stand – Down (300)

TEAM 2

11. Dog Circles Left (202)
12. Backup 3 Steps (305)
13. Right Turn (110)
14. Call Front – 1,2,3 Steps Backward (215)
15. Forward Left (219)
16. 270 Left (117)
17. Weave Poles (314)
18. Left Turn (111)
19. **Halt** – From Sit – 180 Left (211)
20. **Finish**



Designing Judge: Patricia Hunt