

# Versatility Team 1

CARO Virtual Fall Trial  
 T24-002 October 1-14 2024  
 30' x 30' Indoor/Outdoor  
 Max Course Time: 3 minutes

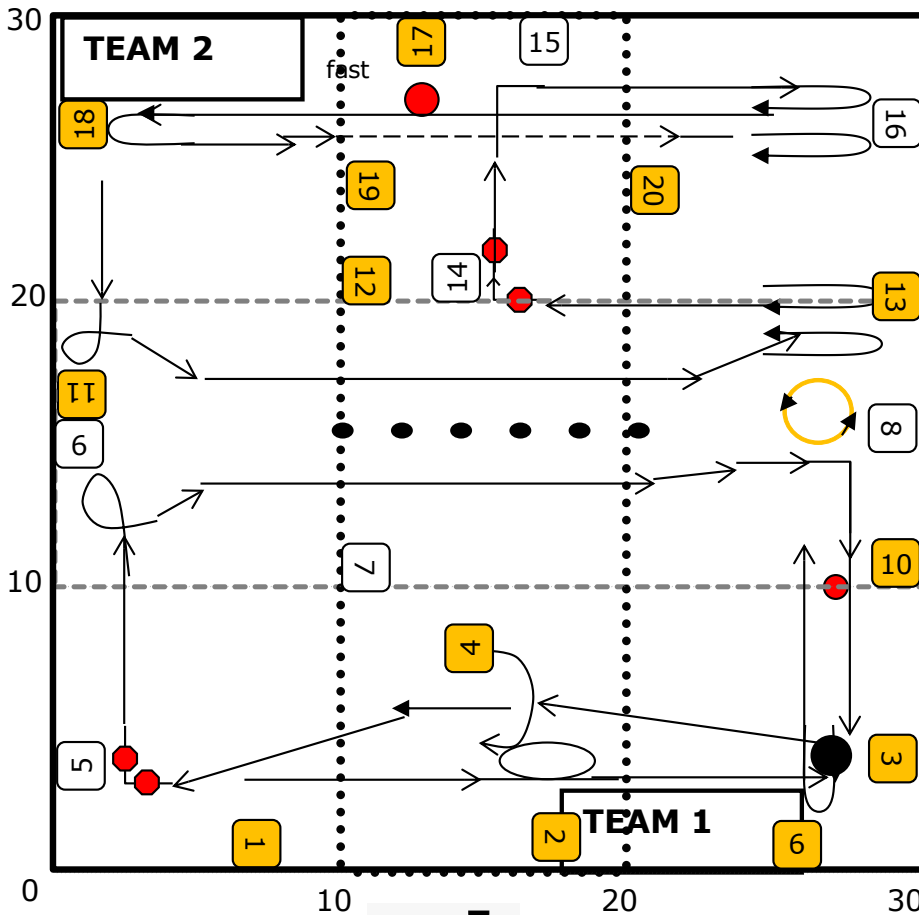
Please note that this has been nested with Versatility Team 2. This is for your ease in set up ☺ This should mean that signs and equipment should be in a similar spot in both Versatility Team Rounds. Happy Playing!

## TEAM 1

1. Start – Dog on Right
2. 360 Left (426) (R)
3. Call Front – Return to Heel (434) (R)
4. Cross Behind (405)
5. **Halt** – 90 Degree Pivot Right – Halt (107) (L)
6. 270 Left (115) (L)
7. Weave Poles (314) (L)
8. Spin Left – Right Turn – Cross Behind (407)
9. 180 Right (421) (R)
10. **Halt** – Down – Sit (411) (R)

## TEAM 2

11. 270 Right (423) (R)
12. Weave Poles (442) (R)
13. Turn In (400)
14. **Halt** – Turn Right – 1 Step – Halt (109) (L)
15. Right Turn (110) (L)
16. Side by Side Right (402)
17. **Halt** – Stand (409) (R)
18. 180 Left (422) (R)
19. Fast Pace (428) (R)
20. Finish – Dog on Right



Camera must be placed along this side of the ring

Designed by Judge: Sarah Knight